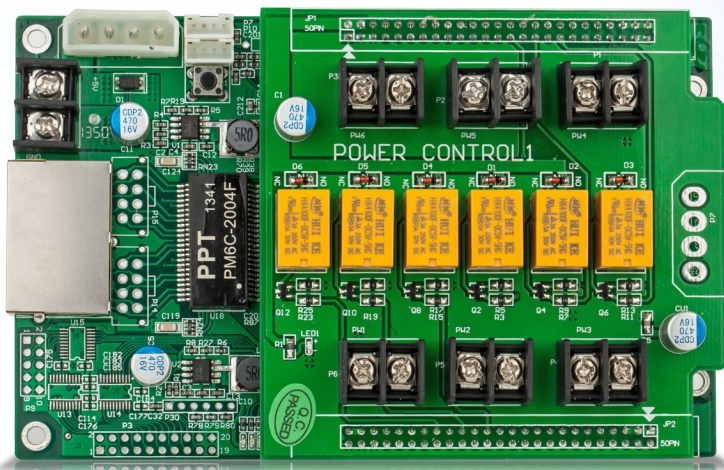




云智科技
YDEACHN.COM

Service Hotline: 400-666-9216



POWER CONTROL1 Specification

P-1.0

Version: V02 Date: 2017-08-02

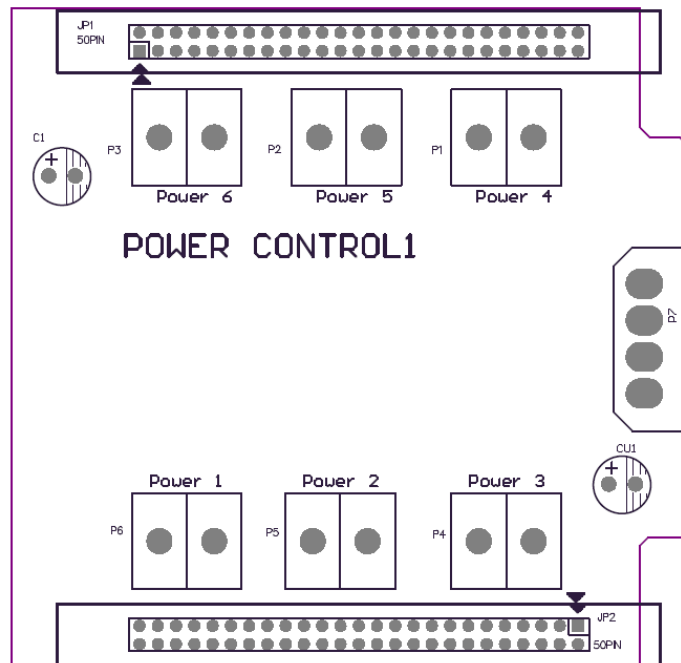
Product Summary

POWER CONTROL1 6-way power control board can control the power switch off, to achieve without manual operation can be realized On and off screen body, with a network port supports cascade before receiving the card or the last.

Product Feature

- Operating voltage: 5V DC.
- Support 6-way power switch control.
- Supporting the use of S3.0 Scan board.
- Dimensions: length 144 × width 91.2 (mm).

Board Dimensions



Interface Definition

