



云智科技
YDEACHN.COM

Service Hotline: 400-666-9216



Fiber Optic Transceiver Specification

F1.0

Version: V02 Date: 2017-08-02

Product Summary

F series of optical fiber transceiver is a photoelectric converter for transferring signal from ultra long distance. It breaks through the limitation of traditional cable transmission ensures the stability and reliability of the signal.

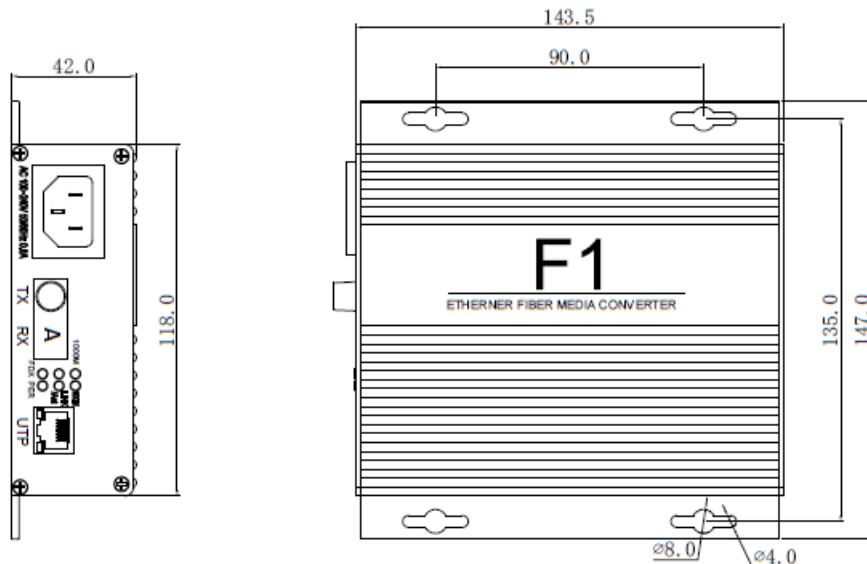
Product Feature

- Way cable interface, all the way to optical interface.
- Single-mode fiber transmission distance 10 km –20 kilometers.
- Optical interface: FC circular mouth.
- 100–240VAC 50 / 60HZ AC power supply.

Technical Specifications

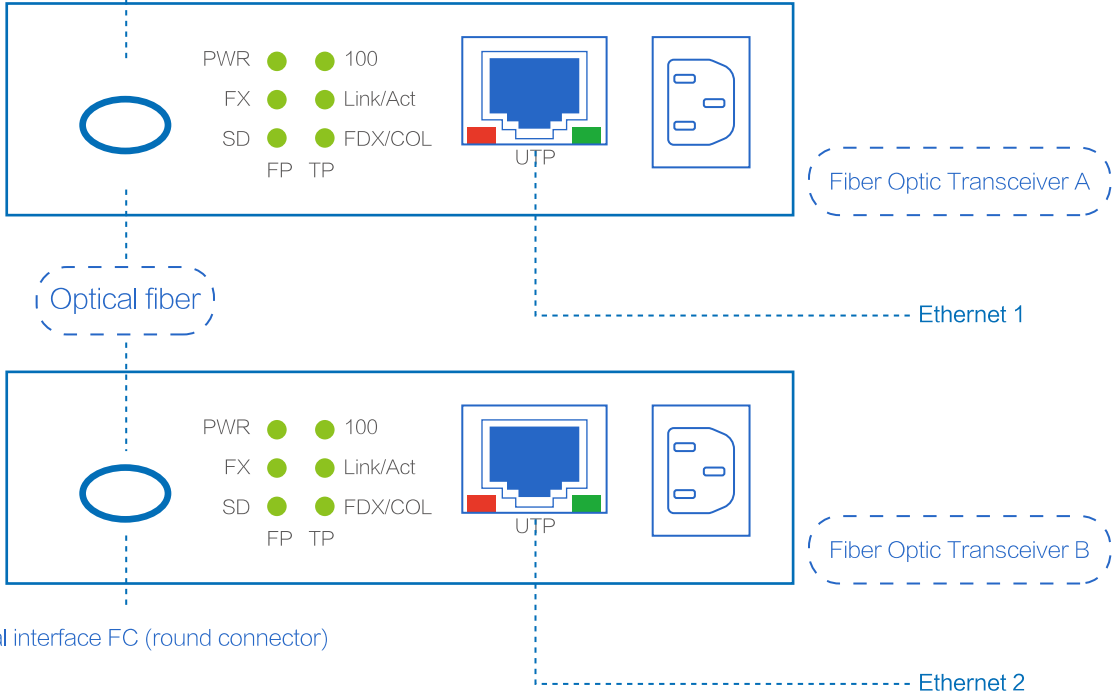
Agreement	IEEE802.3Z IEEE802.3ab	Working temperature	0°C–50°C
Optical fiber	Single mode	Humidity	5% –95%
Interface	FC Round interface, RJ-45	Operating Voltage	100–240VAC 50/60HZ
Transmission rate	10/100Mbps	Dimensions	Length 143 * width 147 * height 40 (mm)
Indicator	1000M/100M、Link、Act、FDX、Power	Weight	0.5 Kg
Transmission distance	10KM		

Chassis Dimensions



System connection diagram

Optical interface FC (round connector)



Optical interface FC (round connector)