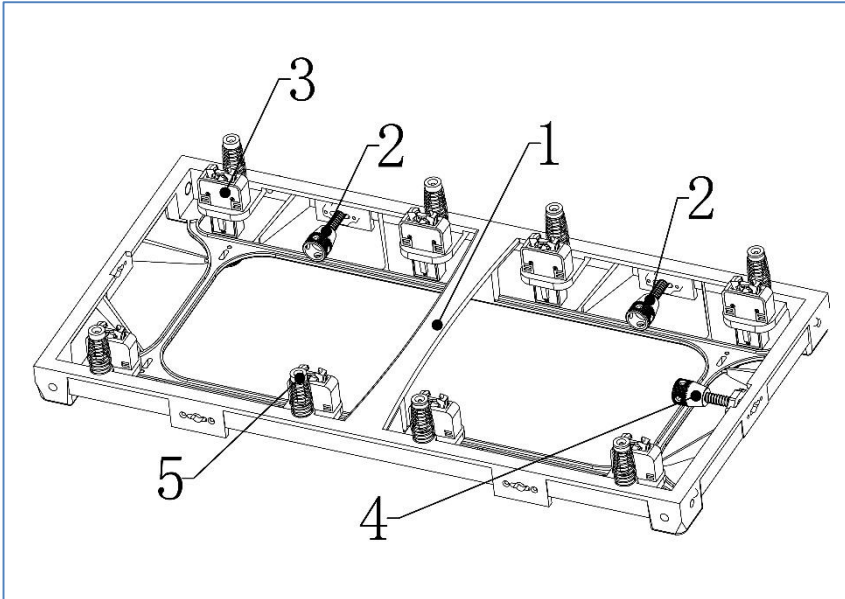


XMOZU 1X2 Front Maintenance Bracket Specification

Front maintenance bracket Self-Developed by MOZU Display is easy to install, flexible splicing, support front maintenance , solved the maintenance difficulty problem in normal display.

■ Packing list

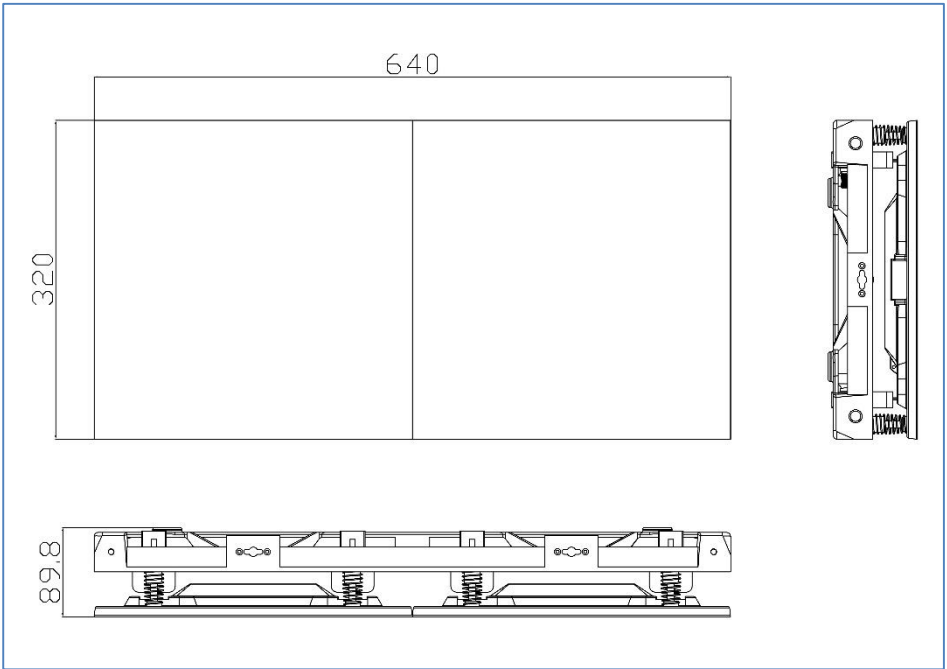


1X2 Front Maintenance Bracket (1. Handle 2. Side lock 3. XMOZU Panel lock 4. Bottom side lock 5. Spring-magnetic component.



304 stainless steel self-tapping screw

■ Bracket parameter



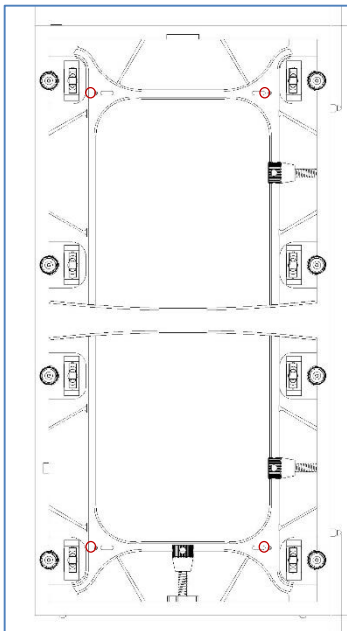
Size mm: length: 640 width : 320 Height: 89.06

Weight KG: 2.843

■ Installation Process

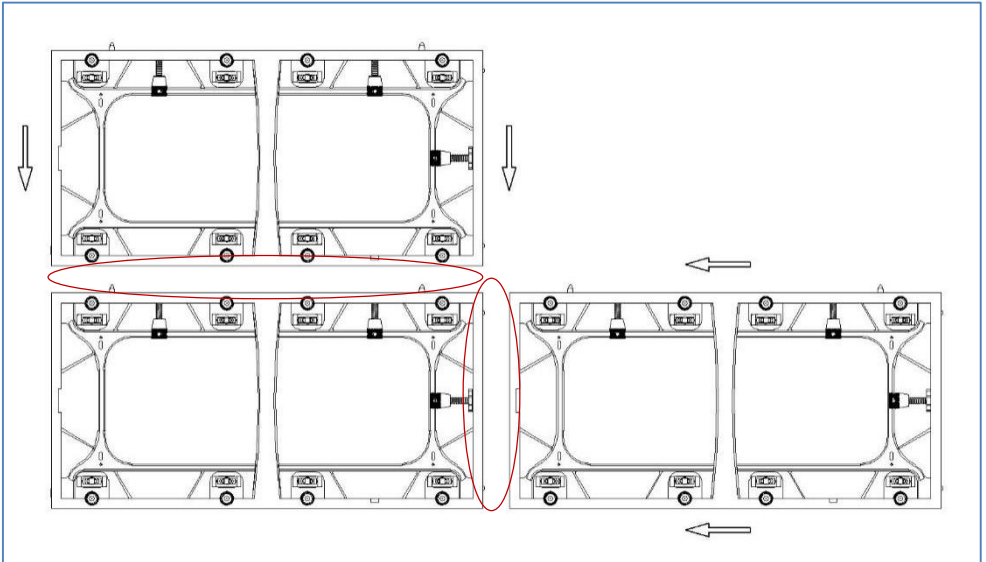
1. Fix bracket on the wall

Use 4 screws to fix bracket on the wall

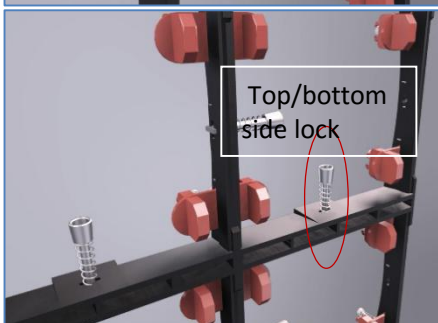
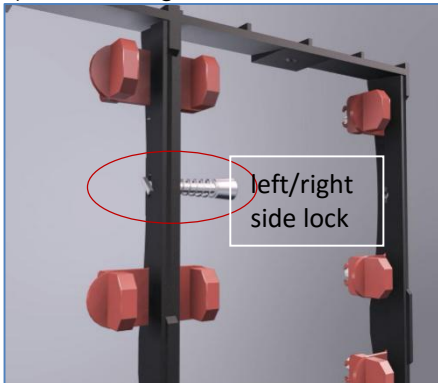


2. Bracket Connect

1) Position: Quick to find location of middle side lock through location column on side of bracket



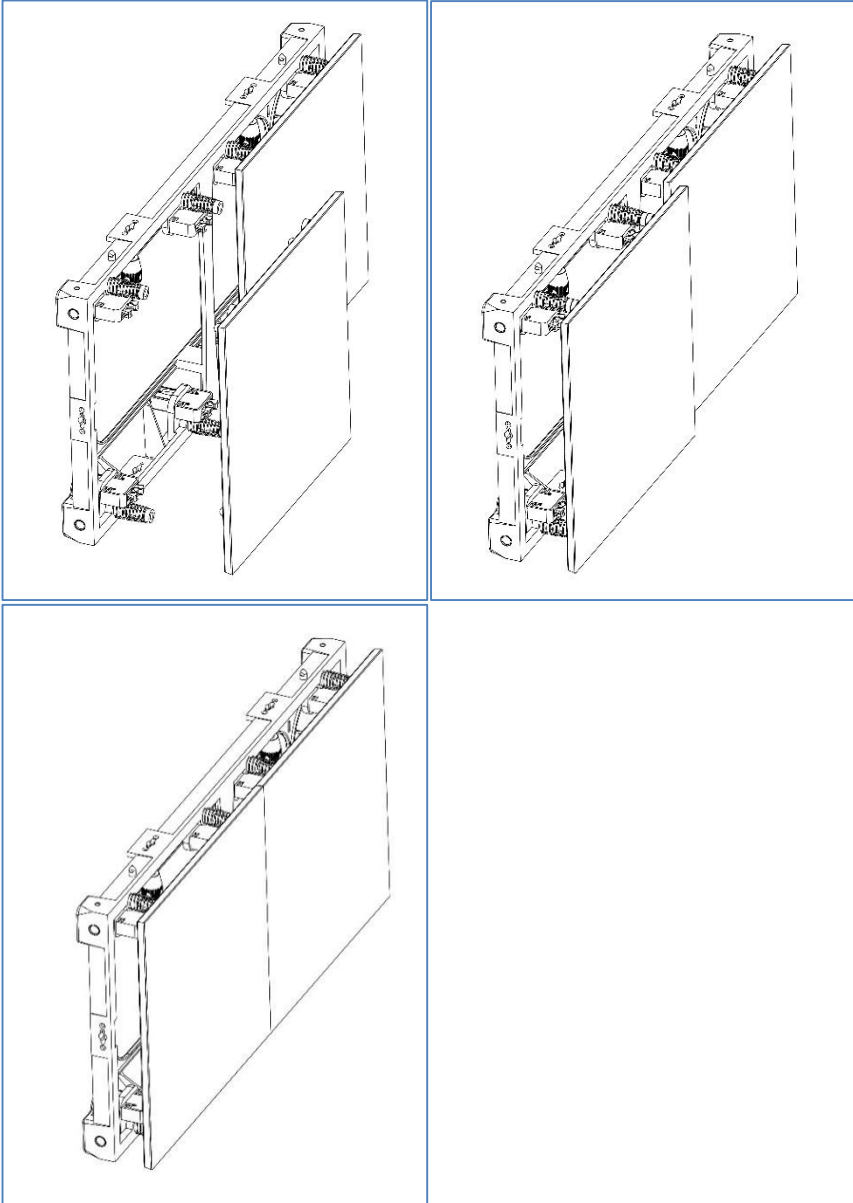
2) Connecting: Connect 2 brackets through side lock connecting.



3) Bracket Fixing: Use screws to fix spliced bracket on wall.

3. Screen Installation

- 1) Put XMOZU panel close to bracket, magnetic on bracket will quick to absorb 4 magnetic columns on XMOZU panel and locate position;
- 2) Push XMOZU panel, panel lock will lock panels in bracket



4. Panel maintenance

- 1) Push XMOZU panel, panels will be popped up.
- 2) Please hold from sides of panel then take it off.

